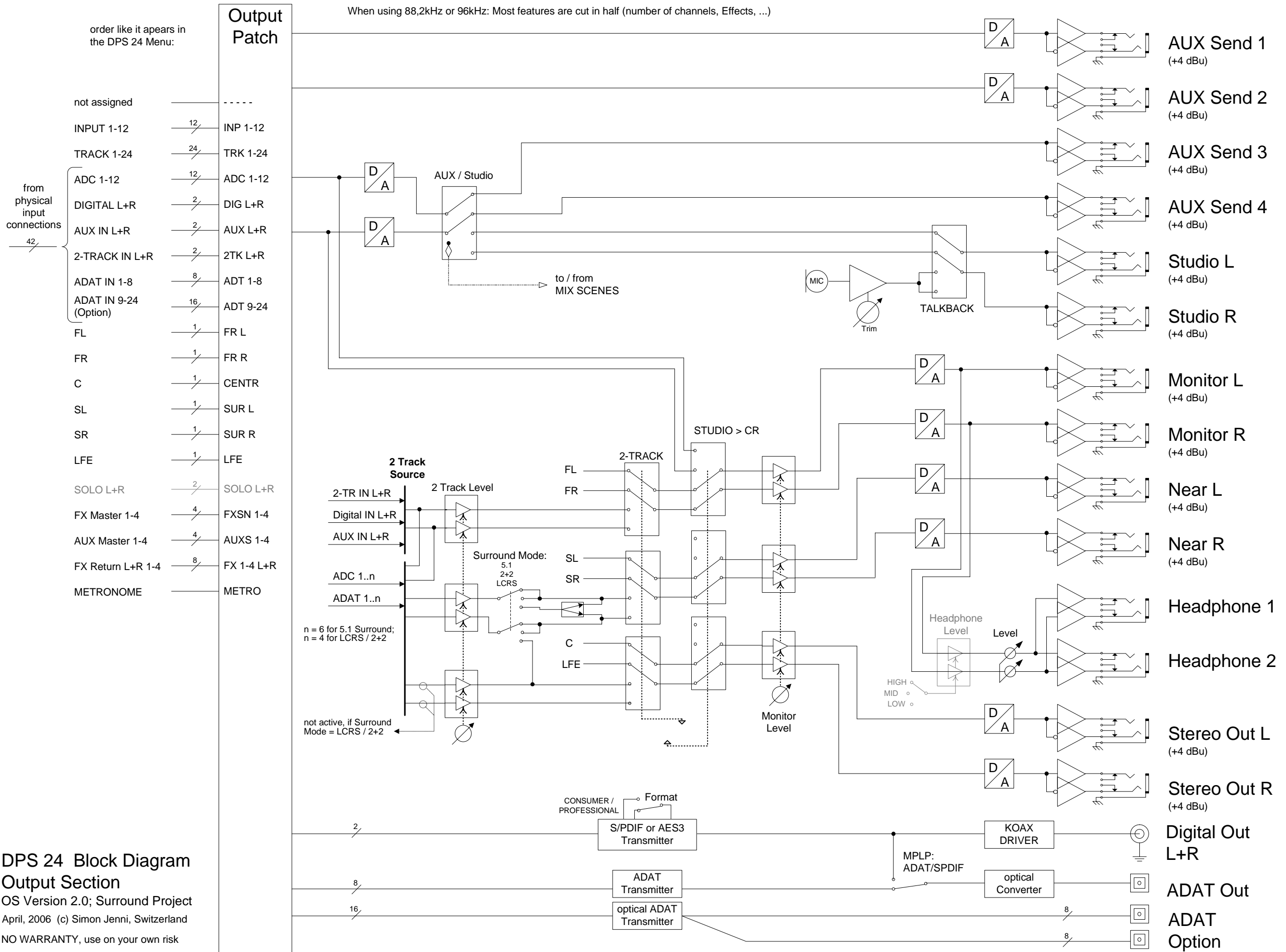


When using 88,2kHz or 96kHz: Most features are cut in half (number of channels, Effects, ...)



**DPS 24 Block Diagram**  
**Output Section**  
 OS Version 2.0; Surround Project  
 April, 2006 (c) Simon Jenni, Switzerland  
 NO WARRANTY, use on your own risk